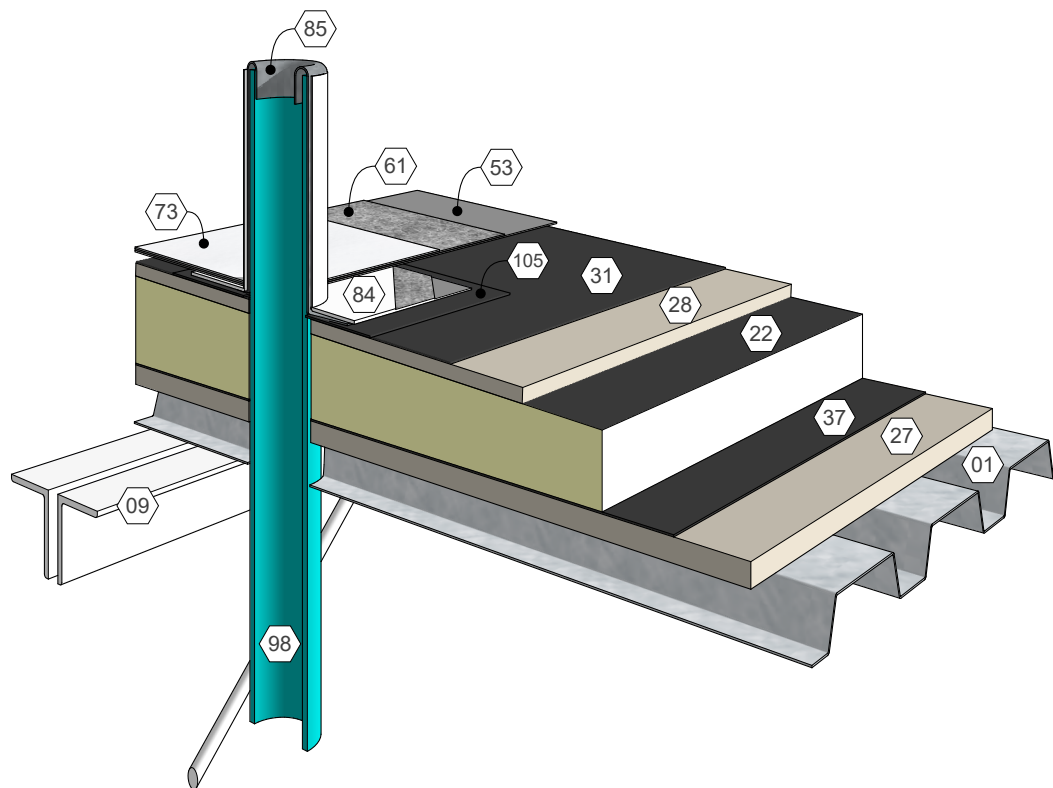
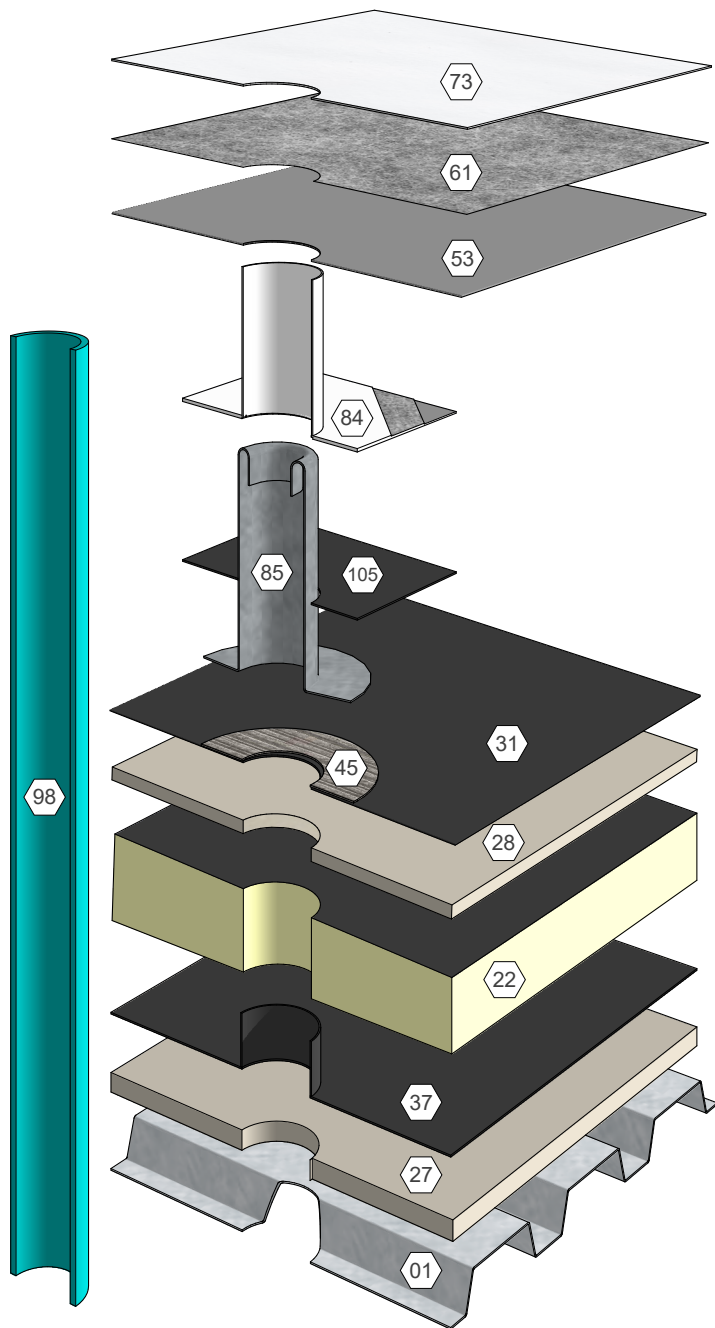


KEY NOTES

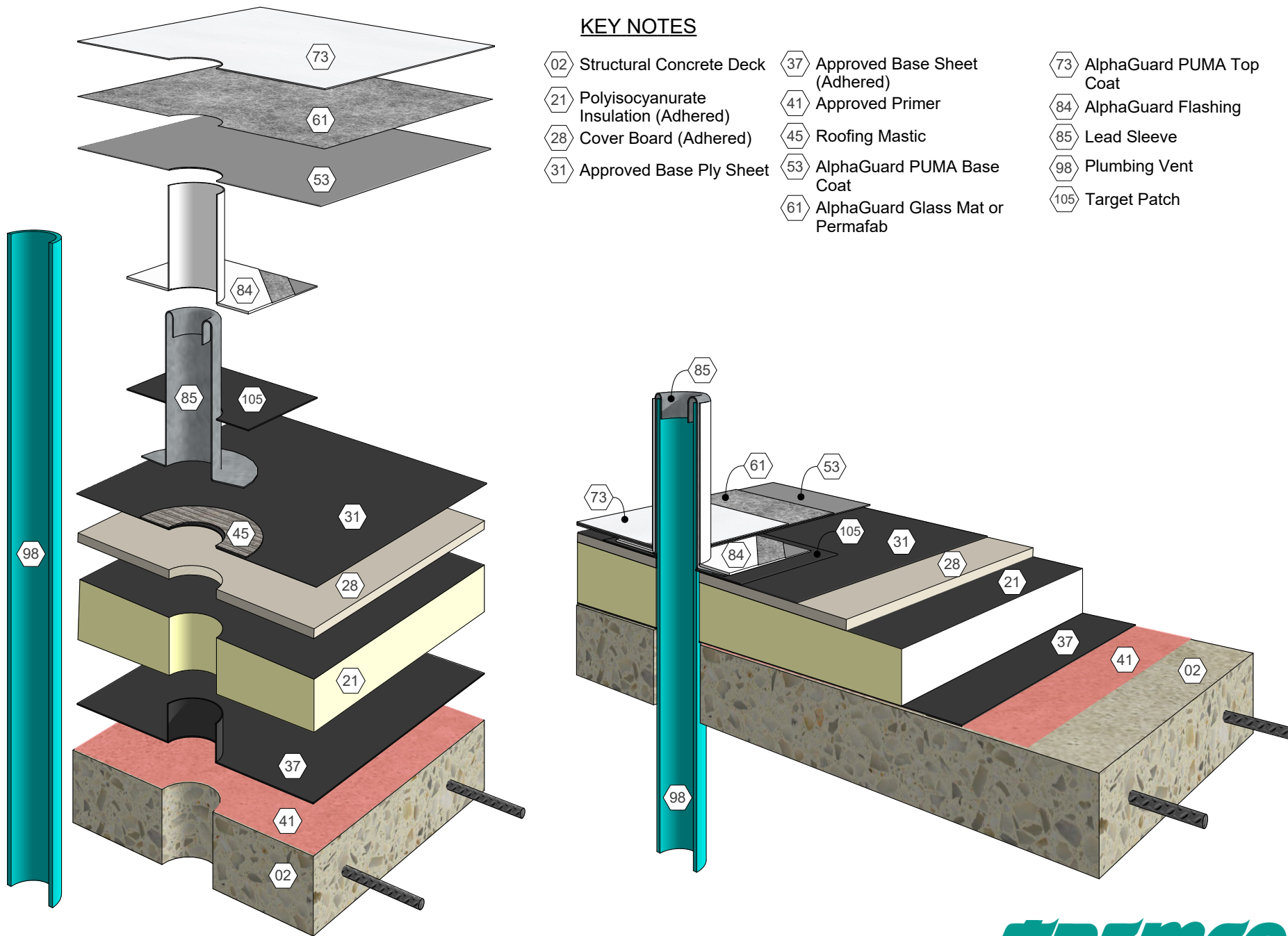
- | | | |
|--|-------------------------------------|-----------------------------|
| 01 Metal Deck | 31 Approved Base Ply Sheet | 73 AlphaGuard PUMA Top Coat |
| 09 Roof Structure | 37 Approved Base Sheet (Adhered) | 84 AlphaGuard Flashing |
| 22 Polyisocyanurate Insulation (Fastened or Adhered) | 45 Roofing Mastic | 85 Lead Sleeve |
| 27 Substrate Board (Fastened) | 53 AlphaGuard PUMA Base Coat | 98 Plumbing Vent |
| 28 Cover Board (Adhered) | 61 AlphaGuard Glass Mat or Permafab | 105 Target Patch |



AlphaGuard® PUMA Plus Plumbing Vent, Temp. Roof, Metal Deck
Detail 34181

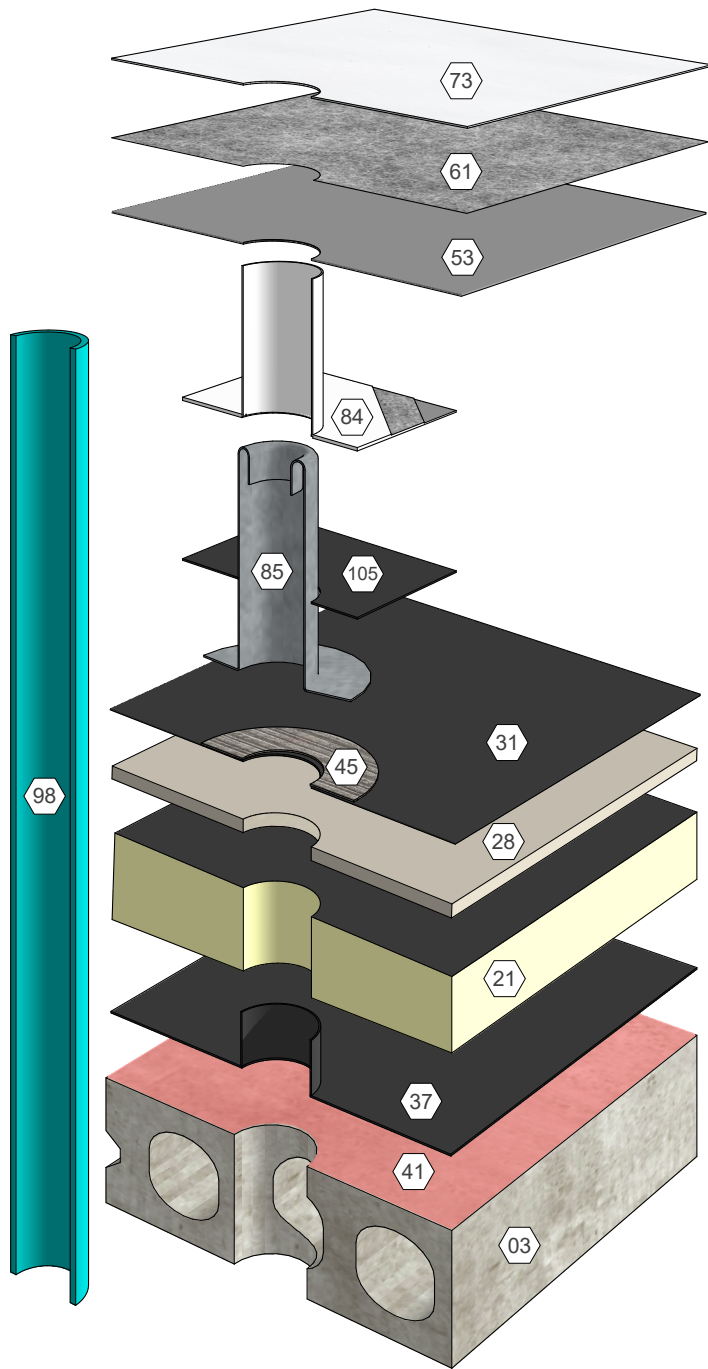
KEY NOTES

- | | | |
|--|-------------------------------------|-----------------------------|
| 02 Structural Concrete Deck | 37 Approved Base Sheet (Adhered) | 73 AlphaGuard PUMA Top Coat |
| 21 Polyisocyanurate Insulation (Adhered) | 41 Approved Primer | 84 AlphaGuard Flashing |
| 28 Cover Board (Adhered) | 45 Roofing Mastic | 85 Lead Sleeve |
| 31 Approved Base Ply Sheet | 53 AlphaGuard PUMA Base Coat | 98 Plumbing Vent |
| | 61 AlphaGuard Glass Mat or Permafab | 105 Target Patch |



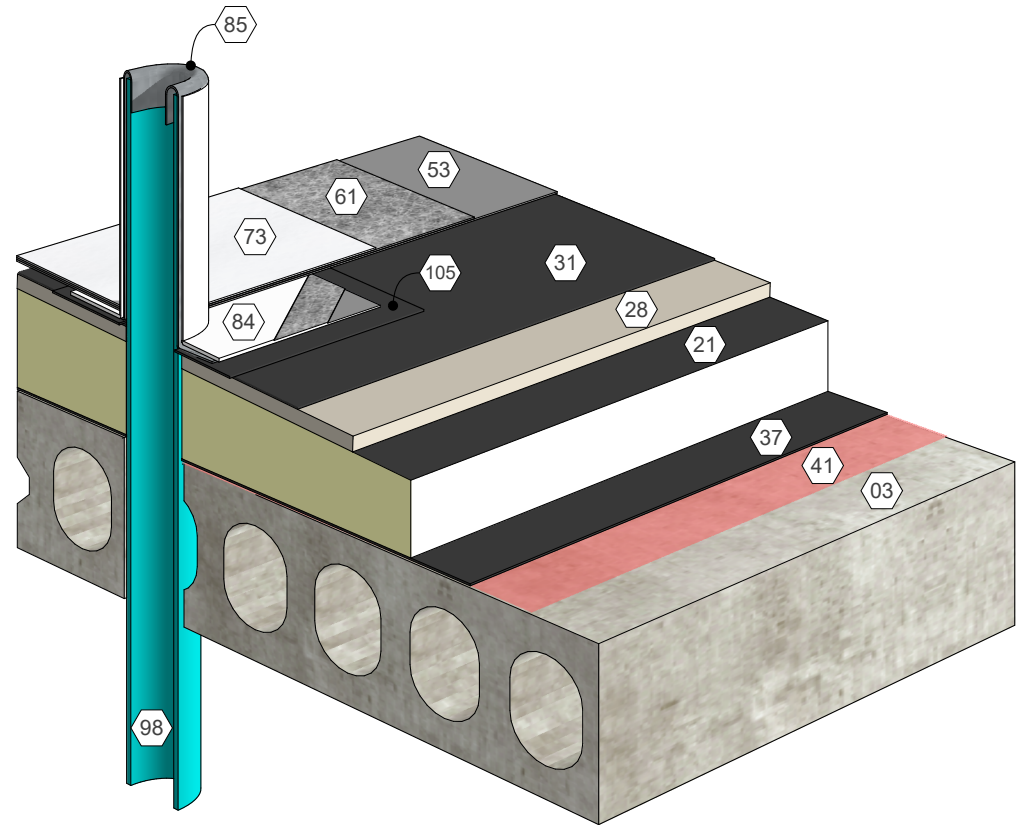
AlphaGuard® PUMA Plus Plumbing Vent, Temp. Roof, Structural Concrete Deck
Detail 34182

TREMCO
ROOFING & BUILDING MAINTENANCE



KEY NOTES

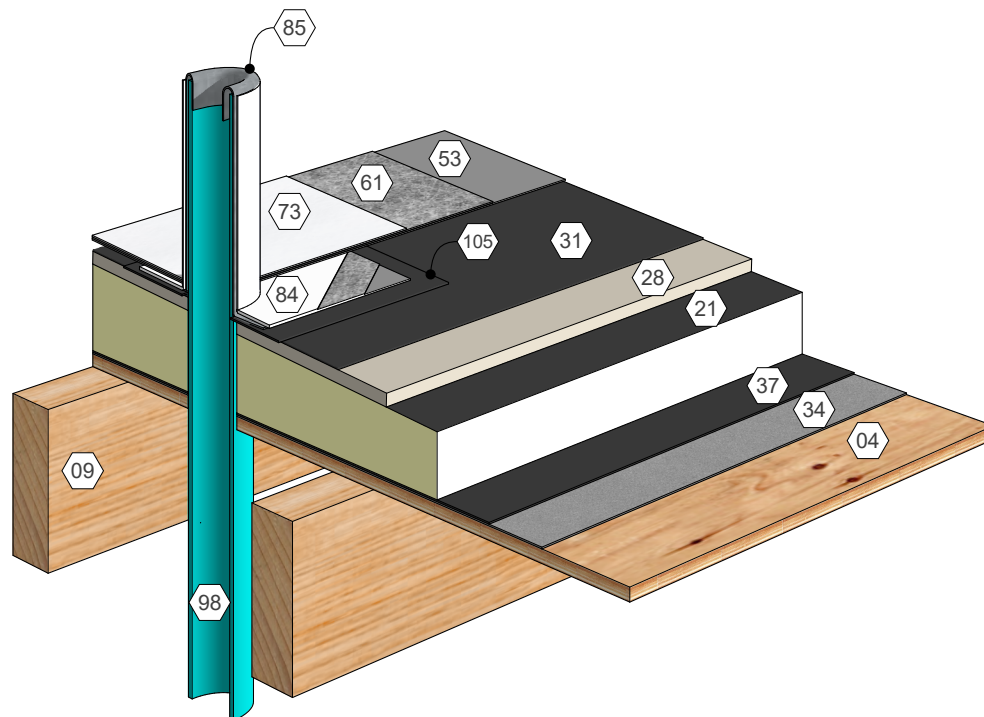
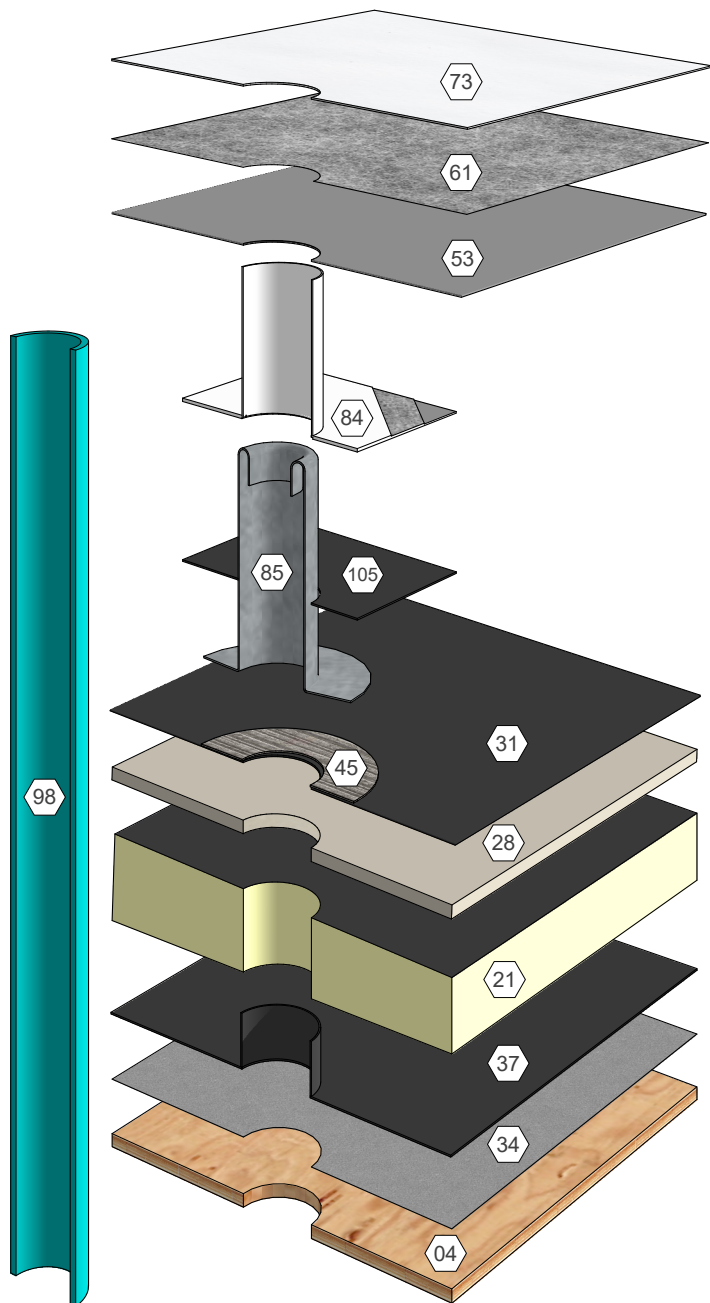
- | | | |
|---|--------------------------------------|------------------------------|
| 03) Precast Concrete Deck | 37) Approved Base Sheet (Adhered) | 73) AlphaGuard PUMA Top Coat |
| 21) Polyisocyanurate Insulation (Adhered) | 41) Approved Primer | 84) AlphaGuard Flashing |
| 28) Cover Board (Adhered) | 45) Roofing Mastic | 85) Lead Sleeve |
| 31) Approved Base Ply Sheet | 53) AlphaGuard PUMA Base Coat | 98) Plumbing Vent |
| | 61) AlphaGuard Glass Mat or Permafab | 105) Target Patch |



AlphaGuard® PUMA Plus Plumbing Vent, Temp Roof, Precast Concrete Deck
Detail 34183

KEY NOTES

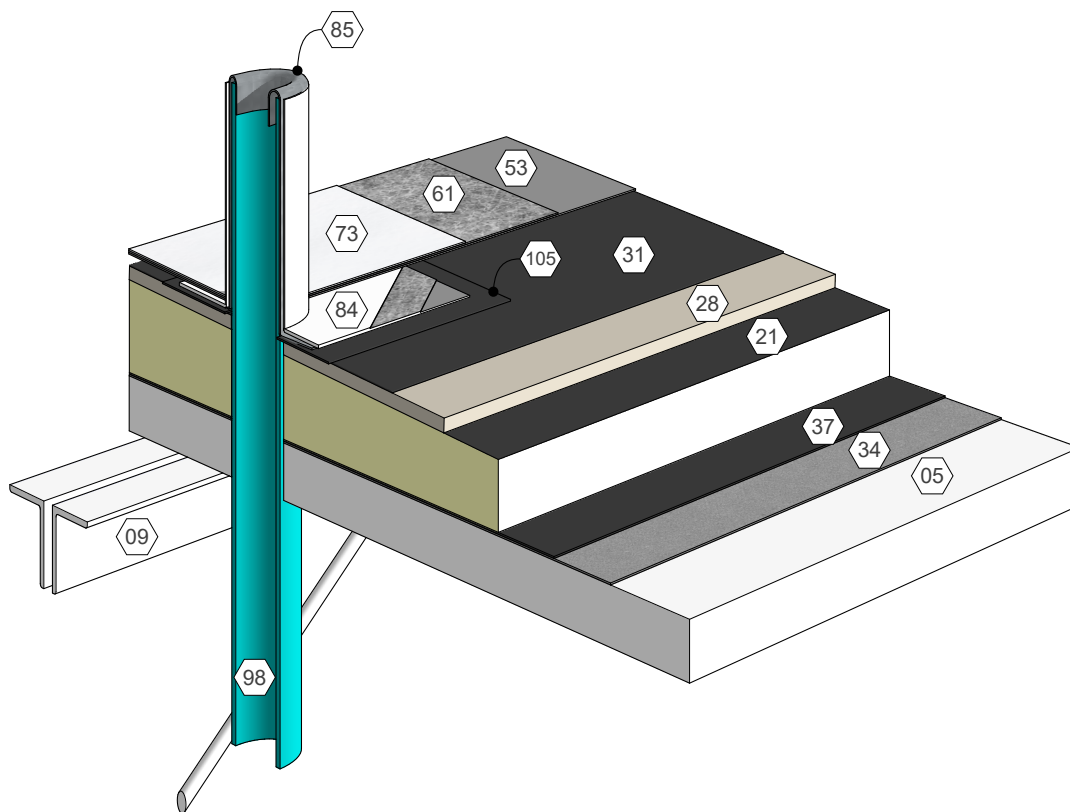
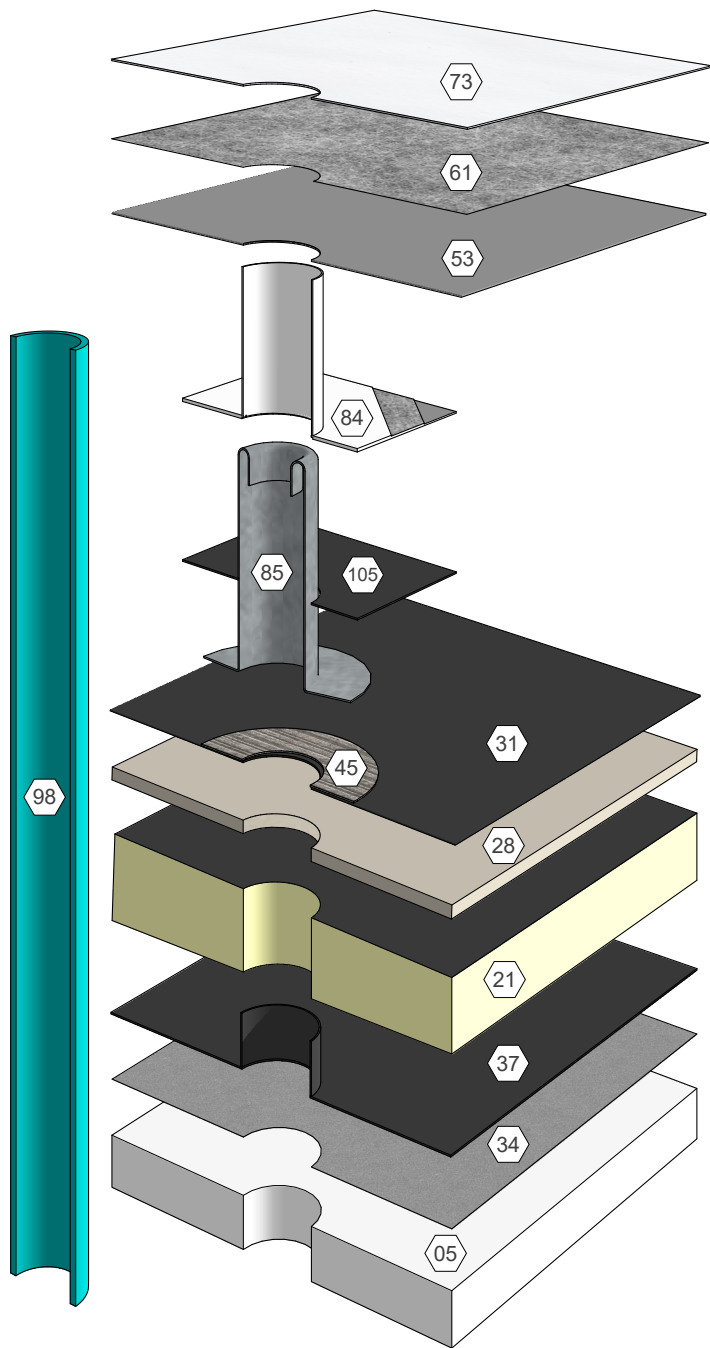
- | | | |
|--|-------------------------------------|-----------------------------|
| 04 Wood Deck | 34 Base Sheet (Fastened) | 73 AlphaGuard PUMA Top Coat |
| 21 Polyisocyanurate Insulation (Adhered) | 37 Approved Base Sheet (Adhered) | 84 AlphaGuard Flashing |
| 28 Cover Board (Adhered) | 45 Roofing Mastic | 85 Lead Sleeve |
| 31 Approved Base Ply Sheet | 53 AlphaGuard PUMA Base Coat | 98 Plumbing Vent |
| | 61 AlphaGuard Glass Mat or Permafab | 105 Target Patch |



AlphaGuard® PUMA Plus Plumbing Vent, Temp. Roof, Wood Deck
Detail 34184

KEY NOTES

- | | | |
|--|-------------------------------------|-----------------------------|
| 05 Gypsum Deck | 31 Approved Base Ply Sheet | 73 AlphaGuard PUMA Top Coat |
| 09 Roof Structure | 34 Base Sheet (Fastened) | 84 AlphaGuard Flashing |
| 21 Polyisocyanurate Insulation (Adhered) | 37 Approved Base Sheet (Adhered) | 85 Lead Sleeve |
| 27 Substrate Board (Fastened) | 45 Roofing Mastic | 98 Plumbing Vent |
| 28 Cover Board (Adhered) | 53 AlphaGuard PUMA Base Coat | 105 Target Patch |
| | 61 AlphaGuard Glass Mat or Permafab | |



AlphaGuard® PUMA Plus Plumbing Vent, Temp. Roof, Gypsum Deck
Detail 34185